



STATE OF WASHINGTON  
DEPARTMENT OF ECOLOGY

PO Box 47600 • Olympia, WA 98504-7600 • 360-407-6000

711 for Washington Relay Service • Persons with a speech disability can call 877-833-6341

September 24, 2015

Zach Witt  
Geo Solutions  
13812 Aston Street  
Houston, TX 77040

**RE: GeoCurve Stormwater Inlet Filter used for BMP C220 – Storm Drain Inlet Protection**

Dear Mr. Witt:

The Washington State Department of Ecology (Ecology) finds the GeoCurve Stormwater Inlet Filter functionally equivalent to BMP C220 Storm Drain Inlet Protection. The specifications for the Inlet Filter must adhere to the specifications attached to this letter. Should the specifications for BMP C220 Stormwater Inlet Filter change in the future, you must make appropriate modifications to the GeoCurve Stormwater Inlet Filter specification in order to retain this designation.

Ecology will place the GeoCurve specification on its website at <http://www.ecy.wa.gov/programs/wq/stormwater/newtech/equivalent.html>.

Contractors may use the GeoCurve Stormwater Inlet Filter for inlet protection at construction sites without seeking additional Ecology approval. Manufacturer installation recommendations must be followed.

Ecology does not endorse this product or its manufacturer.

For more information contact me at (360) 407-6444, or via email at [douglas.howie@ecy.wa.gov](mailto:douglas.howie@ecy.wa.gov).

Sincerely,

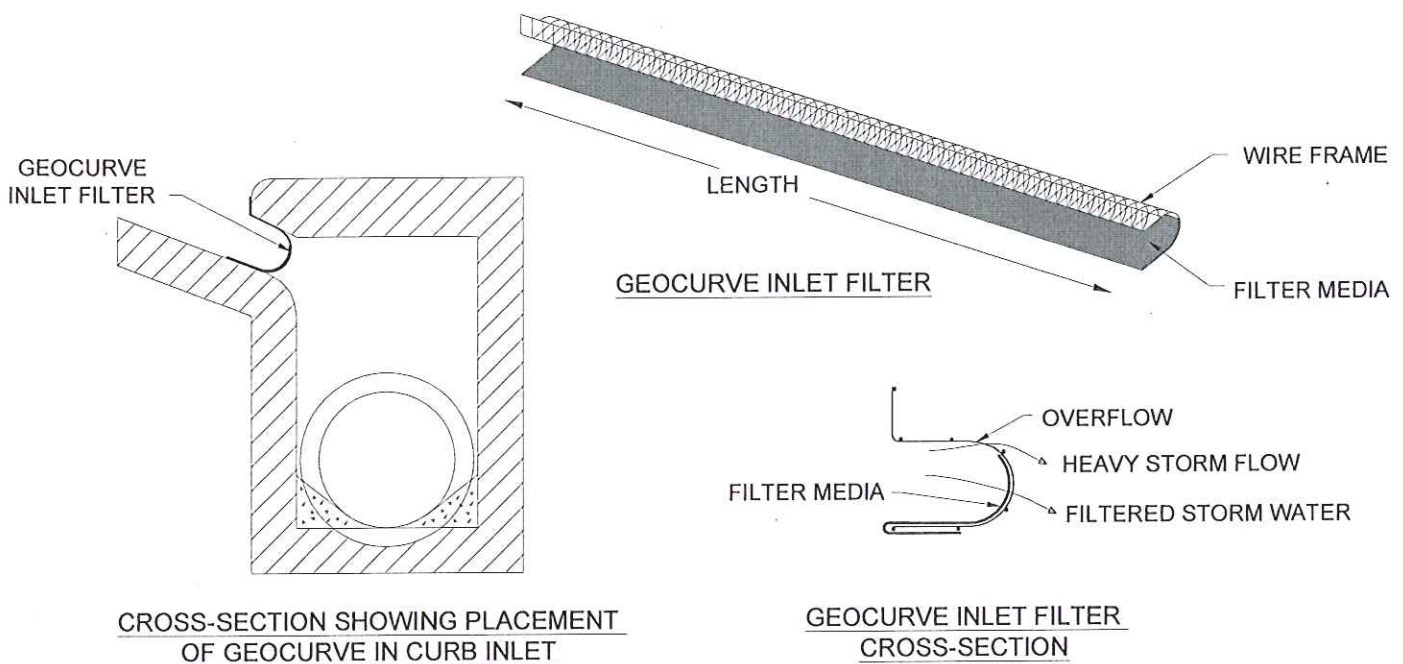
Douglas C. Howie, P.E.  
Stormwater Engineer  
Water Quality Program

Enclosure

cc: Carla Milesi, TAPE Technical Lead, Washington Stormwater Center



The GeoCurve Inlet Filter is a stormwater filter for placement into a stormwater curb inlet for the purpose of capturing debris and sediment that is transported by stormwater runoff. The device is comprised of a filter media (woven monofilament filter fabric) affixed to the lower portion of a “C” shaped 12 gauge welded wire frame (2” x 4” openings) with an upper retention flange. The device effectively filters stormwater, can easily be removed for maintenance and cleaning and incorporates an overflow window for heavy storm events.



FILTER MEDIA PROPERTIES: Mono-filament Woven Filter Fabric

PROPERTY	ASTM TEST METHOD	VALUE	C.O.A. REQ'T
Fabric Weight	D 3776	4.5 oz/sy	3 oz/sy
Grab Tensile Strength	D 4632	170 lbs	----
Mullen Burst Strength	D 3786	410 lbs/sq in	120 lbs/sq in
UV Stability	D 4355	80 %	70 %
Water Flow Rate	D 4491	325 gal/min/sf	275 gal/min/sf